

SAC-5P-M12Y/2XM12FS VP

Order No.: 1683468

<http://eshop.phoenixcontact.de/phoenix/treeViewClick.do?UID=1683468>Y-distributor, 5-pos., straight M12 plug on 2 x straight M12 socket,
parallel distributor**Commercial data**

EAN	4017918166915
Pack	5 Pcs.
Customs tariff	85366990
Weight/Piece	0.02873 KG
Catalog page information	Page 88 (PC-2007)

Product notesWEEE/RoHS-compliant since:
11/16/2006

<http://www.download.phoenixcontact.com>
Please note that the data given here has been taken from the online catalog. For comprehensive information and data, please refer to the user documentation. The General Terms and Conditions of Use apply to Internet downloads.

Technical data**General data**

Nominal current I_N	4 A
Nominal voltage U_N	60 V
Number of positions	5
Volume resistance	$\leq 5 \text{ m}\Omega$
Insulation resistance	$\geq 100 \text{ M}\Omega$

Ambient temperature (operation)	-25 °C ... 90 °C
General characteristics	
Coding	A - standard
Inflammability class acc. to UL 94	HB
Surge voltage category	II
Pollution degree	3
Degree of protection	IP65/IP67
Contact material	CuZn
Contact surface material	Ni/Au
Contact carrier material	TPU GF
Material of grip body	TPU, hardly inflammable, self-extinguishing
Material, knurls	Zinc die-cast, (nickel-plated)
Sealing material	NBR
Status display	No

Certificates / Approvals

Approval logo

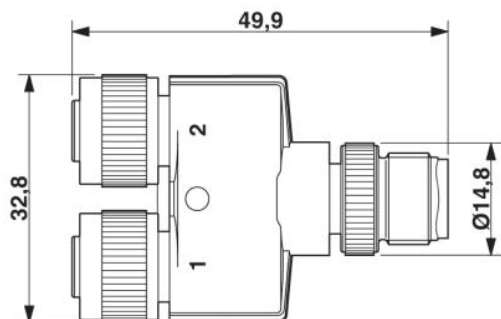


requested approbations

Certification	GOST
---------------	------

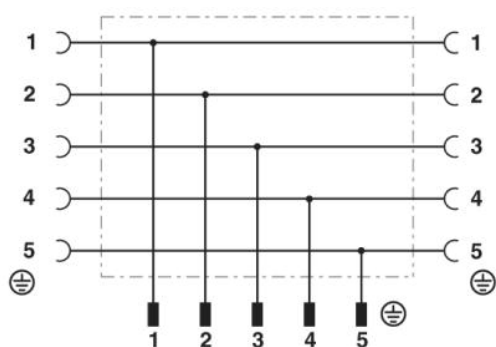
Drawings

Dimensioned drawing



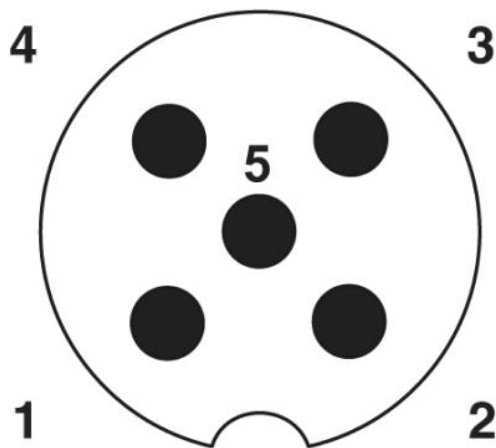
M12 Y distributor

Circuit diagram

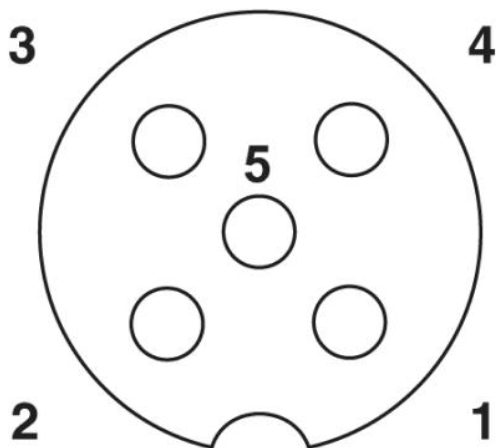


Contact assignment of the M12 Y-distributor

Schematic diagram



Pin assignment M12 male connector, 5-pos., A-coded, male side



Pin assignment M12 female connector, 5-pos., A-coded, female side

Address

PHOENIX CONTACT GmbH & Co. KG
Flachsmarktstr. 8
32825 Blomberg, Germany
Phone +49 5235 3 00
Fax +49 5235 3 41200
<http://www.phoenixcontact.de>



© 2008 Phoenix Contact
Technical modifications reserved;